

# MANISCOPIC Equipment

## ■ Crane Jibs With Hooks

- 2 models
- Hook onto standard carriage
- Fixed and closed hooks
- Capacities from 1,200 to 5,000 kg

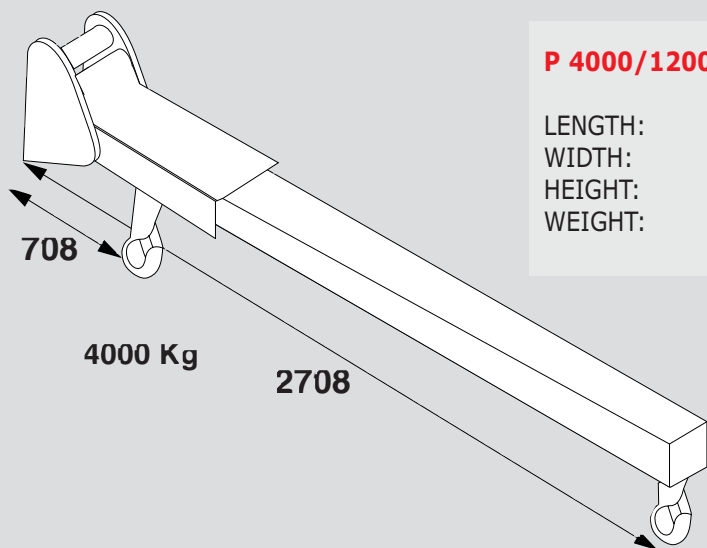


Equipment designed to European standards and to the specifications of your Maniscopic

Fit your MANISCOPIC with a crane jib, and you obtain substantial lift capacity for handling heavy and bulky loads. You will be able to position loads in places that are difficult to access using conventional means.

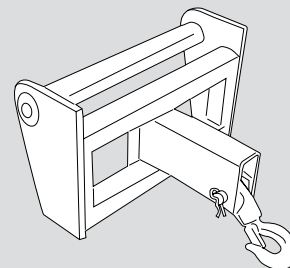
In all situations, the reinforced construction and the closed hook guarantee perfect safety in use.

With the range of **MANITOU** crane jibs with hooks, many operations can be undertaken:



**P 4000/1200 MT (2 fixed hooks)**

LENGTH: 2838 mm  
 WIDTH: 830 mm  
 HEIGHT: 467 mm  
 WEIGHT: 210 kg



**MODEL CAPACITY**

MODEL	CAPACITY
PC 30	3,000 kg
PC 40	4,000 kg
PC 50	5,000 kg

**1200 Kg**



... manipulate bulky loads with the P 4000 MT jib with hook...



... manipulate heavy loads with the PC 50 jib with hook...

**WARNING!**

**When manipulating suspended loads, you must use the automatic cut-out to protect from dangerous movements.**

To find out which equipment suits your MANISCOPIC, get in contact with your dealer.  
 The specifications shown here are not binding on the manufacturer and may be altered without notice.

