

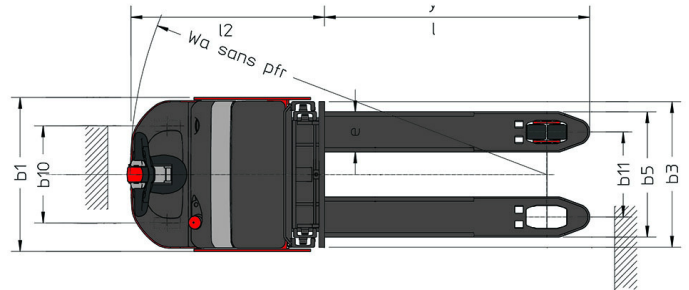
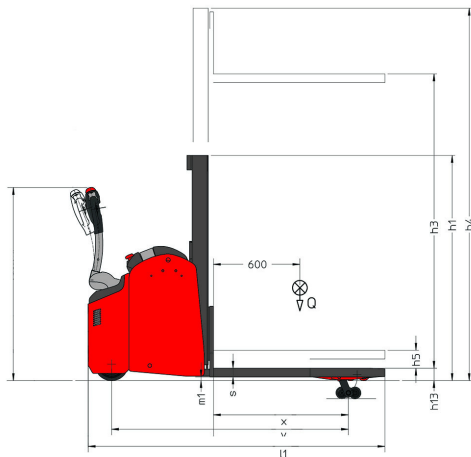
Technical sheet :

ES 420 DL PFR 6



Technical characteristics			Metric
1.1	Manufacturer		Manitou
1.2	Model Name		ES 420 DL PFR 6
1.3	Power source		Battery
1.4	Operator type		Carried
1.5	Max. capacity	Q	2000 kg
1.51	Nominal capacity on wrapover forks	Q	1000 kg
1.52	Nominal capacity in double stacking 1 / 2	Q / Q	1000 kg + 1000 kg
1.6	Load centre of gravity	c	600 mm
1.8	Distance from Load backrest to center of rear axle	x	997 m
1.9	Wheelbase	y	1704 mm
Weight			
2.1	Service weight		1060 kg
2.2	Weight on front axle (laden) / rear axle (laden)		1475 kg / 1585 kg
2.3	Weight on front axle (Unladen) / rear axle (Unladen)		755 kg / 305 kg
Wheels			
3.1	Tyres type		Polyurethane
3.5.2	Number of drive wheels - Size of drive wheels		1 x 230x75
3.3	Number of load wheels - Size of load wheels		4 x 82x68
3.4	Number of stabilizer wheels / Size of the stabilizer wheels		2 x 120x50
3.5	Number of front wheels / rear wheels		3 / 4
3.6	Front wheel gauge	b10	435 mm
3.7	Rear wheel gauge	b11	380 mm
Dimensions			
4.2	Mast height lowered	h1	1560 mm
4.4	Mast lifting height *	h3	2125 mm
4.5	Mast height extended	h4	2580 m
4.9	Height tiller up min. / max.	h14 / h14	1045 mm / 1275 mm
4.19	Overall length	l1	2140 mm
4.20	Length to face of forks	l2	950 mm
4.21	Overall width	b1	688 mm
4.22	Forks section / width / length	s / e / l	80 mm x 60 mm / 1190 mm
4.24	Fork carriage width	b3	650 m
4.31	Ground clearance below mast	m1	25 m
4.32	Ground clearance at centre of wheelbase	m2	30 m
4.34	Aisle width for 800 x 1200 pallet lengthways	Ast	2658 m
4.35	Turning radius	Wa	2010 mm
Performances			
5.1	Travel speed (laden / unladen)		5.5 km/h / 6 km/h
5.2	Lifting speed (laden / unladen)		0.11 m/s / 0.18 m/s
5.3	Lowering speed (laden / unladen)		0.2 m/s / 0.24 m/s
5.7	Gradeability (laden / unladen)		10 % / 20 %
5.10	Service brake		Electro magnetic
Engine			
6.1	Drive motor rating S2 60 min		1.7 kW
6.2	Lift motor rating at S3 15%		2 kW
6.3	Battery according to DIN 43531/35/36 A, B, C		No
6.4	Battery / Batteries capacity		24 V - 270 Ah
6.5	Battery weight (+/- 5%)		245 kg
Miscellaneous			
8.1	Type of drive control		AC
8.4	Sound level at the driver's ear according to DIN 12 053		65 dB(A)

Dimensional drawing



Characteristics of masts and residual capacities

Central Cylinder Duplex		CCD 17	CCD 21
h1 - Height mast lowered *	mm	1365	1560
h3 - Lifting Height	mm	1725	2125
h4 - Height mast extended *	mm	2185	2580
Residual capacity without attachment (Industrial load chart)	kg	1000	1000

Central Cylinder Simplex		CCS 17
h1 - Height mast lowered *	mm	2180
h3 - Lifting Height	mm	1725
Residual capacity without attachment (Industrial load chart)	kg	1000

Free Lift Triplex		FLT 21
h1 - Height mast lowered *	mm	1110
h3 - Lifting Height	mm	2110
h4 - Height mast extended *	mm	2475
Residual capacity without attachment (Industrial load chart)	kg	800



Siège Social
430 rue de l'Aubinière - 44150 Ancenis Cedex - France
Tel: +33(0)2 40 09 10 11 - Fax: +33 (0)2 40 09 10 97
www.manitou.com



This brochure describes versions and configuration options for Manitou products which may be fitted with different equipment. The equipment described in this brochure may be standard, optional or not available depending on version. Manitou reserves the right to change the specifications shown and described at any time and without prior warning. The manufacturer is not liable for the specifications given. For more information, contact your Manitou dealer. Non-contractual document. Product descriptions may differ from actual products. List of specifications is not comprehensive. The logos and visual identity of the company are the property of Manitou and may not be used without authorisation. All rights reserved. The photos and diagrams contained in this brochure are provided for information only.

MANITOU BF SA - Limited company with board of directors - Share capital: 39,668,399 euros - 857 802 508
RCS Nantes