

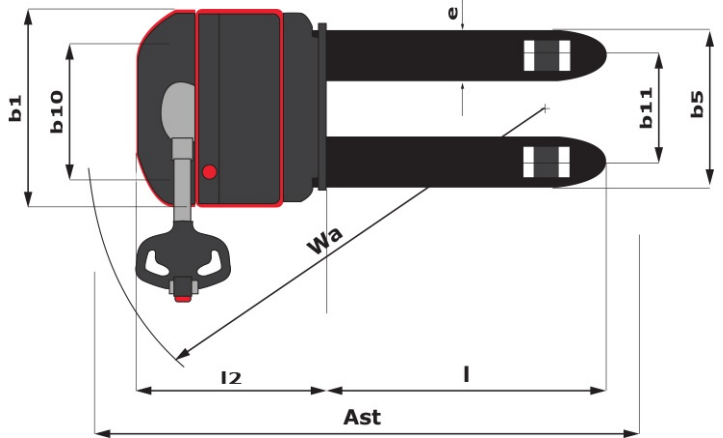
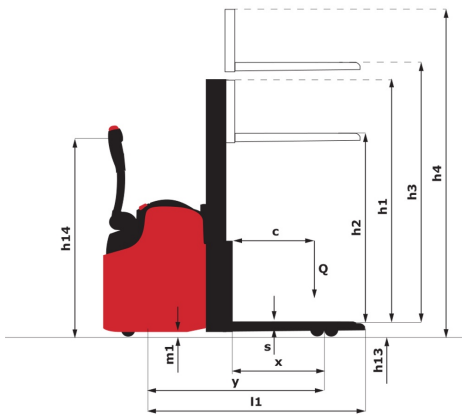
Technical sheet :

ES 616



	Technical characteristics		Metric
1.1	Manufacturer		Manitou
1.2	Model Name		ES 616
1.3	Power source		Battery
1.4	Operator type		Pedestrian
1.5	Max. capacity	Q	1600 kg
1.6	Load centre of gravity	c	600 mm
1.8	Distance from Load backrest to center of rear axle	x	687 mm
1.9	Wheelbase	y	1250 mm
	Weight		
2.1	Service weight		1327 kg
2.2	Weight on front axle (laden) / rear axle (laden)		1064 kg / 1620 kg
2.3	Weight on front axle (Unladen) / rear axle (Unladen)		851 kg / 240 kg
	Wheels		
3.1	Tyres type		Bandage
3.5.2	Number of drive wheels - Size of drive wheels		1 x 230x70
3.3	Number of load wheels - Size of load wheels		2 x 140x60
3.4	Number of stabilizer wheels / Size of the stabilizer wheels		1 x 140x60
3.5	Number of front wheels / rear wheels		2 / 2
3.6	Front wheel gauge	b10	529 mm
3.7	Rear wheel gauge	b11	380 mm
	Dimensions		
4.2	Mast height lowered	h1	1930 mm
4.4	Mast lifting height *	h3	2935 mm
4.5	Mast height extended	h4	3374 mm
4.9	Height tiller up min. / max.	h14 / h14	750 mm / 1250 mm
4.15	Fork height in low position	h13	85 mm
4.19	Overall length	l1	1910 mm
4.20	Length to face of forks	l2	761 mm
4.21	Overall width	b1	800 mm
4.22	Forks section / width / length	s / e / l	60 mm x 185 mm / 1150 mm
4.24	Fork carriage width	b3	700 mm
4.32	Ground clearance at centre of wheelbase	m2	30 mm
4.33	Aisle width for 1000 x 1200 pallet widthways	Ast	2464 mm
4.34	Aisle width for 800 x 1200 pallet lengthways	Ast	2438 mm
4.35	Turning radius	Wa	1588 mm
	Performances		
5.1	Travel speed (laden / unladen)		6 km/h / 6 km/h
5.2	Lifting speed (laden / unladen)		0.18 m/s / 0.3 m/s
5.3	Lowering speed (laden / unladen)		0.27 m/s / 0.22 m/s
5.7	Gradeability (laden / unladen)		7 % / 10 %
5.10	Service brake		Electro magnetic
	Engine		
6.1	Drive motor rating S2 60 min		1.5 kW
6.2	Lift motor rating at S3 15%		3 kW
6.3	Battery according to DIN 43531/35/36 A, B, C		DIN 43535-B
6.4	Battery / Batteries capacity		24 V - 180 Ah
6.5	Battery weight (+/- 5%)		189 kg
	Miscellaneous		
8.1	Type of drive control		AC
8.4	Sound level at the driver's ear according to DIN 12 053		65 dB(A)

Dimensional drawing



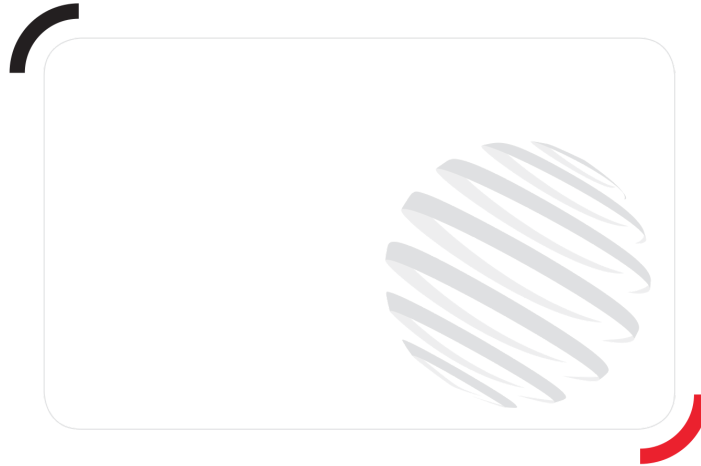
Characteristics of masts and residual capacities

Central Cylinder Simplex		CCS 15	CCS 17
h1 - Height mast lowered *	mm	1930	2180
h2 - Free lift	mm	1505	1755
h3 - Lifting Height	mm	1505	1755
h4 - Height mast extended *	mm	1944	2194
Residual capacity without attachment (Industrial load chart)	kg	1600	1600

Full Visibility Duplex		FVD 29	FVD 34	FVD 38
h1 - Height mast lowered *	mm	1930	2180	2380
h3 - Lifting Height	mm	2935	3435	3835
h4 - Height mast extended *	mm	3374	3874	4274
Residual capacity without attachment (Industrial load chart)	kg	1400	1150	950

Free Lift Duplex		FLD 29	FLD 34
h1 - Height mast lowered *	mm	1930	2180
h2 - Free lift	mm	1505	1755
h3 - Lifting Height	mm	2930	3430
h4 - Height mast extended *	mm	3369	3869
Residual capacity without attachment (Industrial load chart)	kg	1400	1150

Free Lift Triplex		FLT 42	FLT 47	FLT 54
h1 - Height mast lowered *	mm	1889	2049	2300
h2 - Free lift	mm	1465	1625	1875
h3 - Lifting Height	mm	4245	4725	5455
h4 - Height mast extended *	mm	4701	5181	5880
Residual capacity without attachment (Industrial load chart)	kg	750	650	500



Siège Social
430 rue de l'Aubinière - 44150 Ancenis Cedex - France
Tel: +33(0)2 40 09 10 11 - Fax: +33 (0)2 40 09 10 97
www.manitou.com



This brochure describes versions and configuration options for Manitou products which may be fitted with different equipment. The equipment described in this brochure may be standard, optional or not available depending on version. Manitou reserves the right to change the specifications shown and described at any time and without prior warning. The manufacturer is not liable for the specifications given. For more information, contact your Manitou dealer. Non-contractual document. Product descriptions may differ from actual products. List of specifications is not comprehensive. The logos and visual identity of the company are the property of Manitou and may not be used without authorisation. All rights reserved. The photos and diagrams contained in this brochure are provided for information only.

MANITOU BF SA - Limited company with board of directors - Share capital: 39,668,399 euros - 857 802 508
RCS Nantes